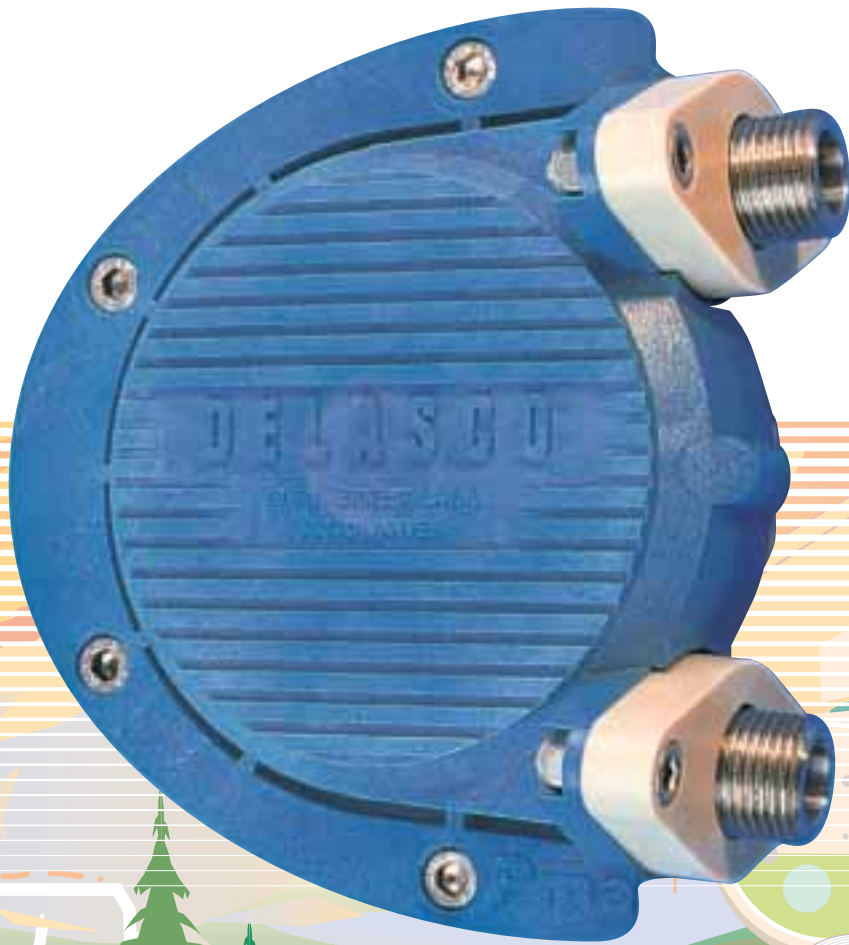


# PMA Series

The simple solution for transferring  
and dosing in Industry



Keep it  
moving

## PMA Series from PCM Pompes :

The peristaltic pumping principle is based on the capacity of a soft elastomer hose accepting a deformation and subsequently recovery its initial shape.

### ▶ Advantages

#### Of the peristaltic principle:

- Dry Running
- Self-priming
- Seal-less Design
- Reversibility

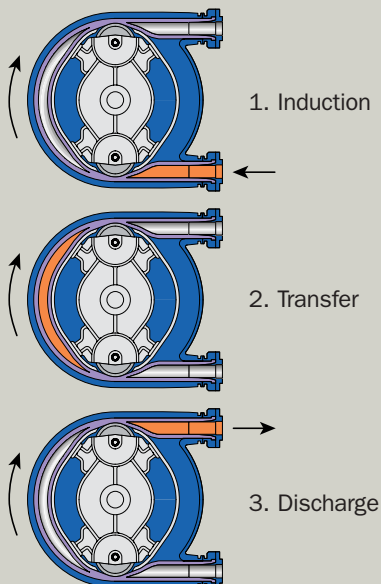
#### Of the PMA Series:

- Simple and quick maintenance
- Excellent quality/price ratio
- Compact Pump
- Pump body in plastic so resistant to corrosion
- Available in stock

### ▶ Characteristics

- Minimum flow-rate: 14 l/h
- Maximum flow-rate: 200 l/h
- Maximum pressure: 1.5 bars
- Maximum temperature in continuous operation: 100°C
- Maximum density: 2
- Maximum solid particle size: 3 mm
- Maximum viscosity: 1800 cP
- Cylinder Capacity: 0.009 l
- Self-priming: 5 m W.C. maximum
- Speed: 0 to 195 rpm
- Reversible Pump

### ▶ Operation



## Performances

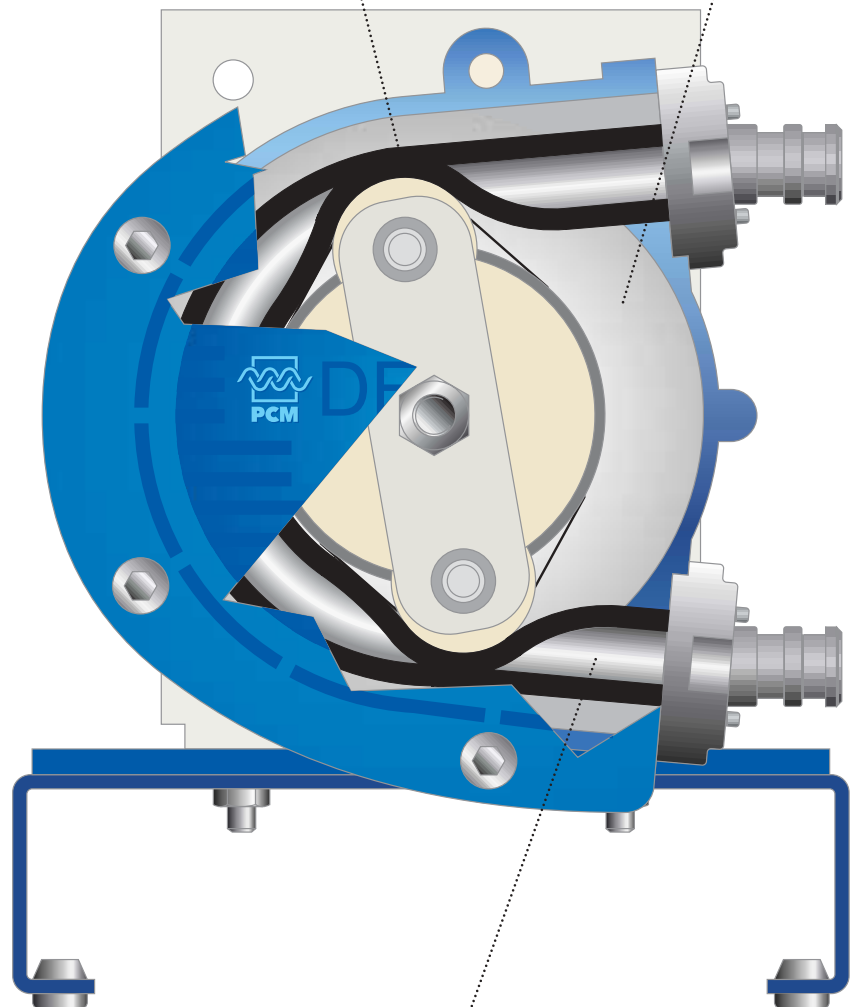
The PMA 10 can be equipped with a gear box or a 90 w, IP55, 220/400 tri-phase variable speed drive.

The pump may also use a mono-phase or a tri-phase frequency drive inverter (contact us).

Speed (rpm)	Flow rate (l/h)	Pressure (bar)
14	14	1.5
70	70	1.5
195	200	1
16 to 160	16 to 160	1

▶ Compressing technology, using rollers for a better occlusion of the tube. The design increases the squeezed surface area of the hose, lengthening the hose life span.

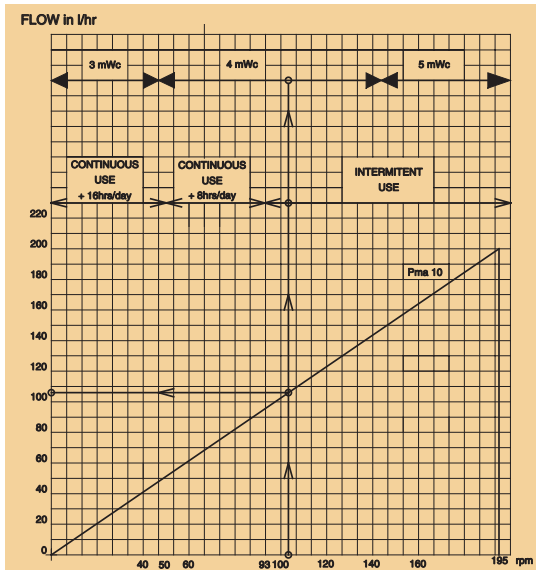
▶ Plastic Stator(PFV) for a better resistance to corrosion



▶ Flexible hose, easy to change.

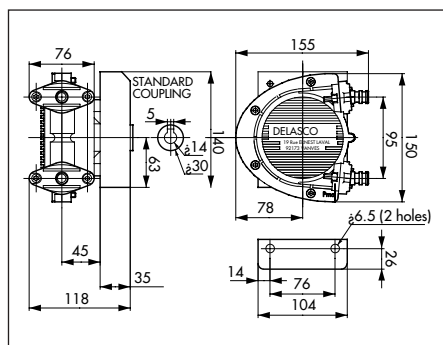
Flow curves on water basis at 20 °C.  
Viscosity 1 cP  
Specific gravity 1.0  
Neoprene Hose  
Suction: negligible  
Delivery: 1 bar

Example: for a required flow of 105 l/hr  
one must select a PMA 10 pump  
running at 105 rpm.  
At this speed for an optimal hose life  
the pump should be used on  
an intermittent basis.

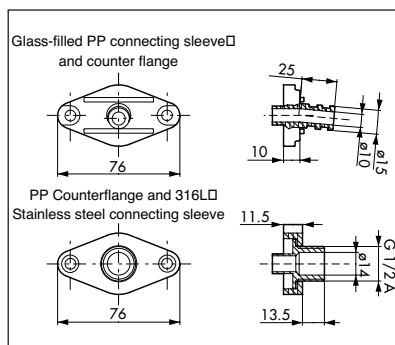


## Dimensions

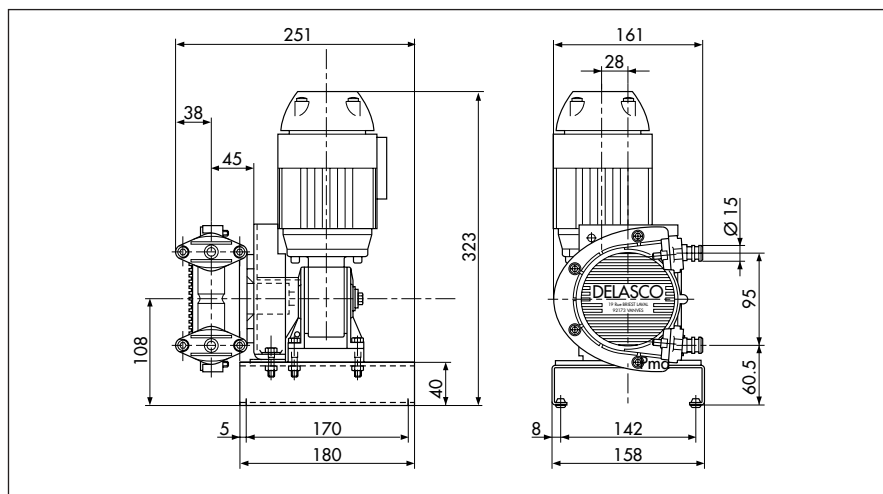
### BARESHAFT PUMP



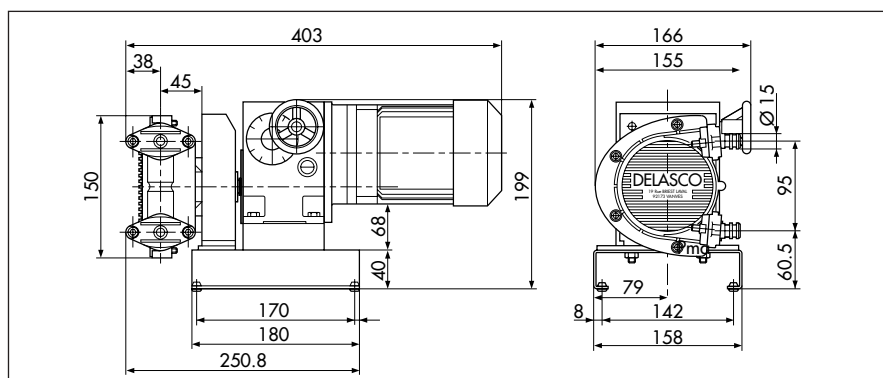
### CONNECTIONS



### FIXED SPEED PUMPSETS



### VARIABLE SPEED PUMPSETS



### Applicable directives and standards

The pumps of the PMA Series are manufactured as part of an ISO 9001 certified organisation and comply with the directive requirements and harmonised CE and NF standards.



### Characteristics of available hoses:

#### NEOPRENE

Standard grade for acids and bases.  
Caustic soda, detergents, surface treatment baths.  
Temperature : 5 to 95° C.

#### FOOD GRADE THERMOPLASTIC

Oxidising acids (sulphuric), bleach solutions.  
Chemical compatibility similar to EPDM.  
Its white-cream colour enables it to be used for food, cosmetic and pharmaceutical products.  
Temperature : 5 to 95° C.

# Applications



PMA Series used for sampling in the control process at a waste water treatment plant

PMA Series for egg white transfer in the food industry



Activity Sector	Applications the PMA Series from the PCM Delasco Range
Water Treatment	Dosing of ferric chloride, lime milk, acids Recovering samples
Surface Treatment	Dosing of chemical products for the re-generation baths or the treatment of wastes Dosing and transferring of glues, inks, and additives
Paper & Board	Test units, laboratory pump, sampling
Chemicals	Dosing of products for CIP (Cleaning in Place)
Food	Dosing of flavorings, colorants, ferments Dosing of resins or catalysis in foundries
Materials	Dosing and transferring enamel or additives in tile making
Other	Dosing of products to mixers Recovering of water samples for analysis



## HEAD OFFICE

**UNITED STATES**  
Tel: +1 713 896 4888  
Fax: +1 713 896 4806  
pcmdelasco@pcmdelasco.com  
www.pcmdelasco.com

**FRANCE**  
PCM S.A.  
17 rue Ernest Laval - BP 35  
92173 VANVES Cedex  
FRANCE

Tél : +33 (0)1 41 08 15 15  
Fax : +33 (0)1 41 08 15 00  
contact@pcm.eu  
www.pcm.eu

**CHINA**  
Tel: +86 (0)21 62362521  
Fax: +86 (0)21 62362428  
pcmchina@pcm.eu  
www.pcm.eu

**UNITED KINGDOM**  
Tel: +44 (0)1536 740200  
Fax: +44 (0)1536 740201  
sales@pcmpumps.co.uk  
www.pcmpumps.co.uk

**GERMANY**  
Tel: +49 (0)611 60977-0  
Fax: +49 (0)611 60977-20  
info@delasco.de  
www.delasco.de

**TUNISIA**  
Tel: +216 71 238 138  
Fax: +216 71 231 713  
pcmtunisie@pcm.eu  
www.pcm.eu

**THAILAND**  
Tel: +66 (0)34 246 012  
Fax: +66 (0)34 297 022  
mwitayat@pcm.eu  
www.pcm.eu

**RUSSIA**  
Tel: +7(812)320 70 96  
Fax: +7(812)320 75 12  
pcmrussia@pcm.eu  
www.pcm.eu